

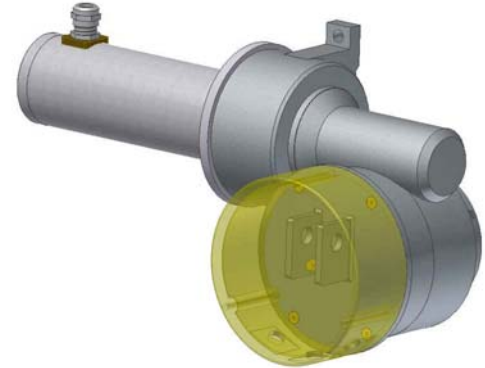
Application-Azimuth Drives for 50-80 m² PV Systems



Tested for 60 m² Solar Tracker



Azimuth gearbox with support bearings



Azimuth gear reducer

Description:

Framo Morat worm gears are used to turn PV modules from East to West.

A large 140 mm center distance gear set is built inside a cast iron housing with support bearing to withstand the large forces created by heavy storms. A custom gear reducer drives the Azimuth gearbox.

Technical data:

Type	Azimuth Worm Gear
Max. torque	9000 Nm (dynamic) 20,000 Nm (static)
Center Distance	Max. 145 mm
Gear ratio	50-60
Type	Azimuth Gear Reducer
Motor	24V DC PM motor
Gearbox	3-stage planetary-worm reducer (self-locking) with a gear ratio of 2835:1
Index & Stow Speed	1-1.5 RPM
Control Gearing	Second output shaft with control gear (60:1)
Control Box	Custom Terminal Box for end of travel limit switches
IP-rating	IP54, IP65