

44

Framo
 Morat

Linear actuator Mini 2

Spare parts list

AC 3x230V / 110V, transmission ratio 1:1

1-stage planetary gear
2-stage planetary gear
3-stage planetary gear

33

33

Pos.	Bezeichnung	Artikel-No.
1	Stator	Serial-No.
2	Rotor cpl.....	Serial-No.
4	Grooved ball bearing	00300100600780
7	Limit switch	02450100000600
8	Automatic disconnecter	02450100000250
9	Terminal board cpl.....	Serial-No.
10	Pressure spring	00155002940100
13	Connection head	Serial-No.
14	Pressure disc	Serial-No.
15	Switch jack 1 with quadrings	8-2020-01.10
16	Switch jack 2	8-2020-01.11
17	Spindle cpl.....	Serial-No.
19	Feltring	8-2020-60.06
20	Gear cover	Serial-No.
21	Bearing plate	8-2020-01.13A
22	Spindlenut, piston tube	Serial-No.
30	Planet wheel	Z8-2020-60.04
31	Internal ring gear cpl.....	Serial-No.
33	Planet wheel carrier toothed	Serial-No.

Subject to technical changes

 Framo Morat GmbH & Co. KG
 Höchst 7 • D-79871 Eisenbach

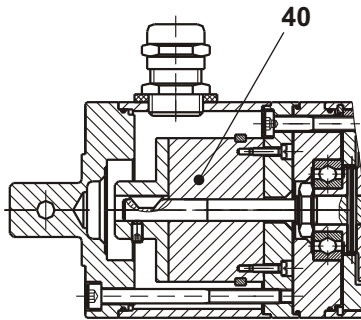
 Tel.: +49 (0) 7657 / 88-0
 Fax: +49 (0) 7657 / 88-333

 www.framo-morat.com
 info@framo-morat.com

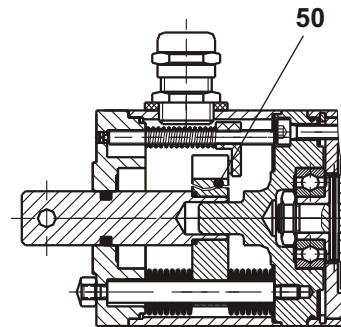
D8-20-144e/01.06

Spare parts list

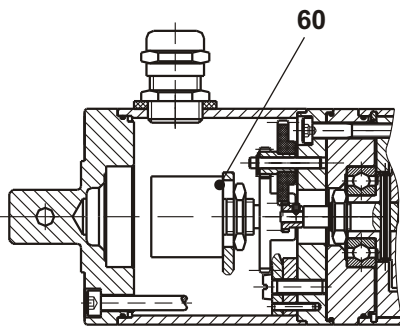
Spring applied single disc brake



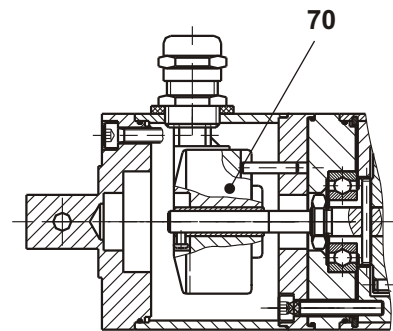
Force dependent shut off



Potentiometer



Encoder



Item	Part name	Article-No.
40	Spring applied single disc brake	Serial-Nr.
50	Force dependent shut off	Serial-Nr.
60	Potentiometer	Serial-Nr.
70	Encoder	Serial-Nr.

Subject to technical changes