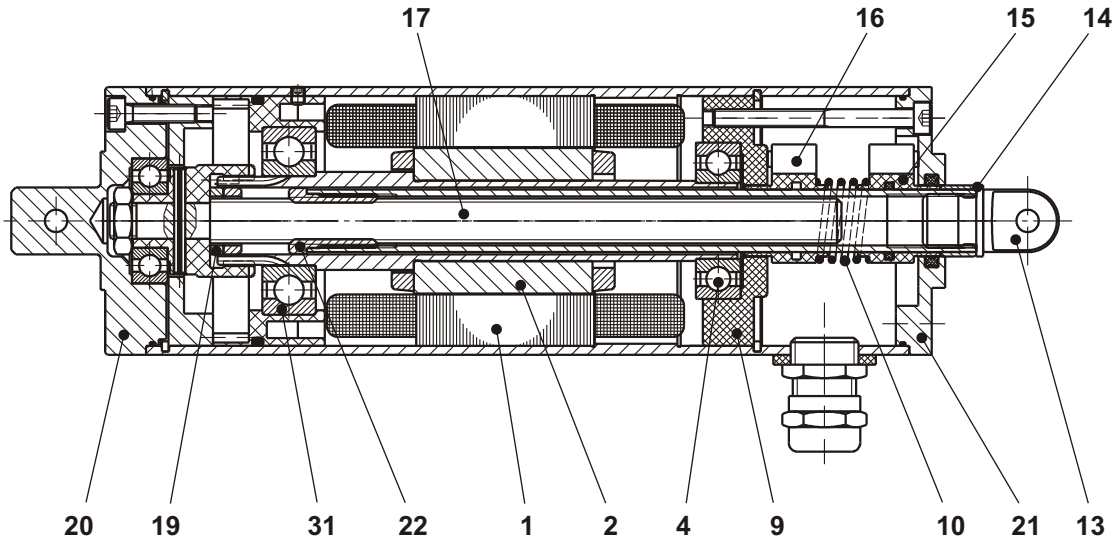
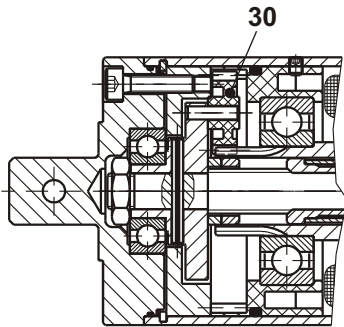


## Spare parts list

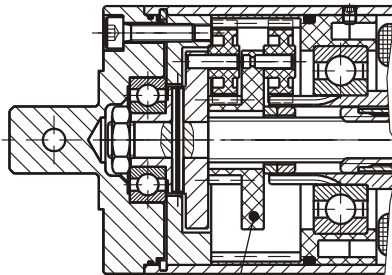
AC, transmission ratio 1:1



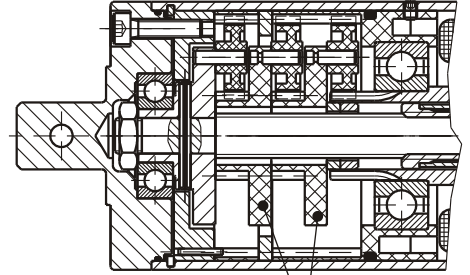
1-stage planetary gear



2-stage planetary gear



3-stage planetary gear

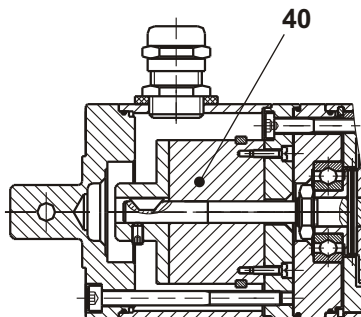


Item	Part name	Article-No.
1	Stator .....	Serial-No.
2	Rotor cpl.....	Serial-No.
4	Grooved ball bearing .....	00300100600383
7	Limit switch .....	02450100000700
9	Terminal board cpl.....	Serial-No.
10	Pressure spring .....	8-2000-01.02
13	Connection head .....	Serial-No.
14	Pressure disc .....	Serial-No.
15	Switch jack 1 with quadding and limit switch .....	8-2000-02.01N
16	Switch jack 2 with limit switch .....	8-2000-03.00
17	Spindle cpl.....	Serial-No.
19	Felt ring .....	8-2001-01.12
20	Gear cover .....	Serial-No.
21	Bearing plate with quadding .....	8-2000-01.12N
22	Spindlenut, piston tube .....	Serial-No.
30	Planet wheel .....	8-2000-60.03R
31	Internal ring gear with grooved ball bearing .....	Serial-No.
33	Planet wheel carrier toothed .....	Serial-No.

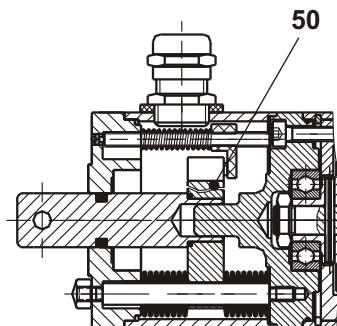
Subject to technical changes

## Spare parts list

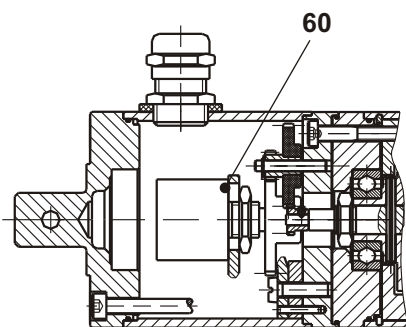
### Spring applied single disc brake



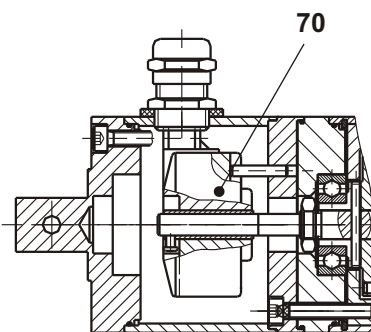
### Force dependent shut off



### Potentiometer



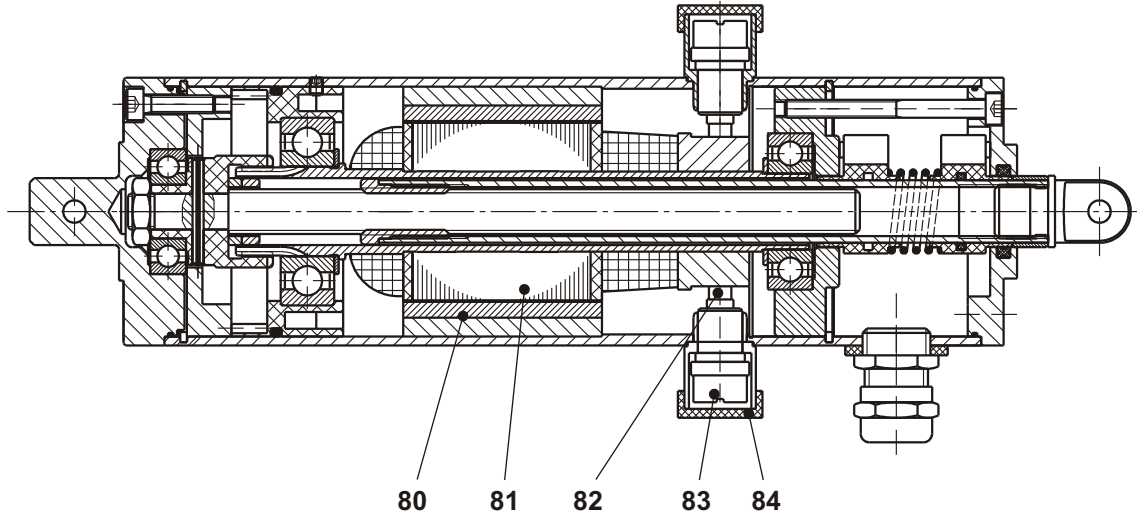
### Encoder



Item	Part name	Article-No.
40	Spring applied single disc brake .....	Serial-Nr.
50	Force dependent shut off .....	Serial-Nr.
60	Potentiometer .....	Serial-Nr.
70	Encoder .....	Serial-Nr.

## Spare parts list

DC, transmission 1:1



Item	Part name	Article-No.
80	DC field .....	Serial-Nr.
81	DC armature .....	8-2000-21.00
82	Bronze-carbon .....	8-2000-10.05
83	Brush holder .....	8-2000-10.03
84	Jack .....	8-2000-10.04

Subject to technical changes