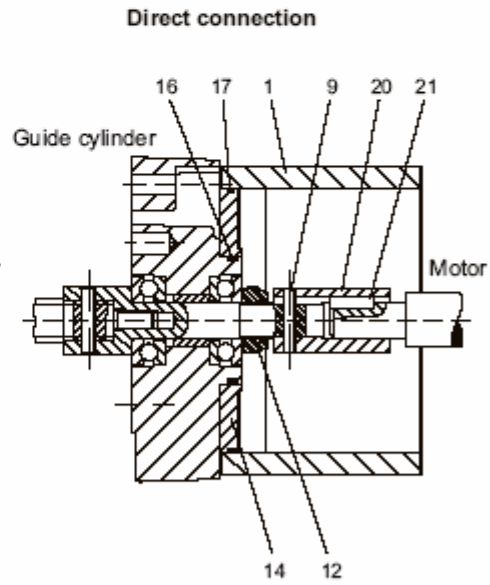
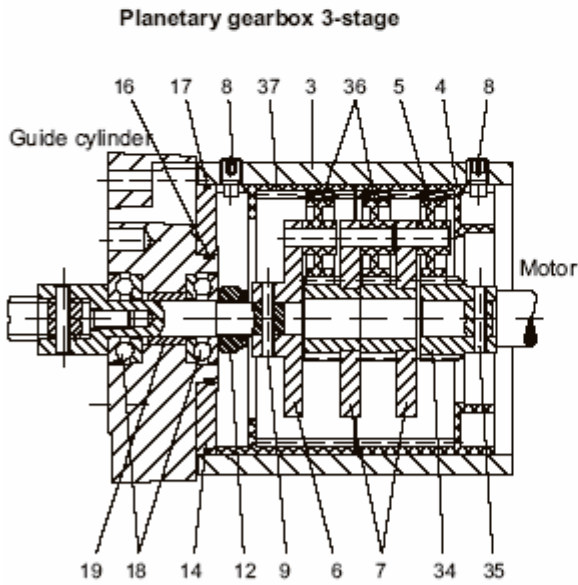
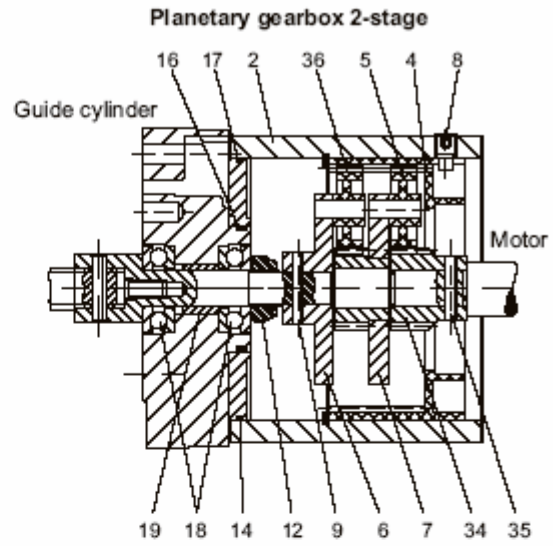
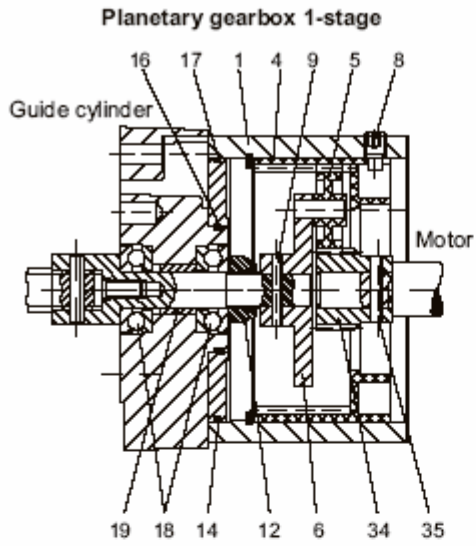


# Flexline 10, 20, 30 Parts List for Planetary Gearbox

Spare parts list planetary gearbox and direct connection



## Spare parts list planetary gear and direct connection

No	Description	Part number		
		FI10	FL20	FL30
1	Gear casing; 1:1 1-stage	8-5010-80.02	8-5020-80.01	8-5030-80.02
2	Gear casing 2-stage	8-5010-80.08	8-502080.08	8-5030-80.08
3	Gear casing 3-stage	8-5010-80.10	8-5020-80.10	8-5030-80.10
4	Internal bearing	8-3001-520.02	8-5020-80.09	8-5030-80.09
5	Planet wheel	8-2001-130.04	8-2010-130.04	8-2020-60.04
6	Complete planet carrier	8-5010-80.03	8-2010-140.02	8-2020-71.00a
7	Complete planet carrier assembled	8-2001-140.02a	8-5020-80.03	8-5030-80.03
8	Set screw	00015600601001	00015600601001	
9	Spiral pin	00101900250240	00101900600320	
12	Dome nut	00050611007501	00050612010001	00050612515001
	Shaft nut			8-5030-2210.12
13	NILOS ring	00202500630010		
14	Centering washer	8-5010-20.03	8-5020-20.03	
16	O-ring seal	00202000320152	00101900600320	
17	O-ring seal	00202000670152	00202000450152	
18	Axial deep groove ball Bearing	00300055110010	00300055120410	
19	Cylinder bearing or Needle bush	Type No.	Type No.	Type No.
20	Cpoupling bushing	8-5010-80.01	8-5020-80.01	8-5030-80.01
21	Feather key	00250100303120	00250200500650	
34	Motor pinion	Type No.	Type No.	Type No.
35	Spiral pin	00101900300180	00101900400200	
36	Planet wheel	8-2001-130.04	8-5020-80.11	8-5030-80.11
37	Internal bearing	8-5010-80.09	8-5020-80.09	8-5030-80.09

Spare parts can only be delivered is serial No. is stated