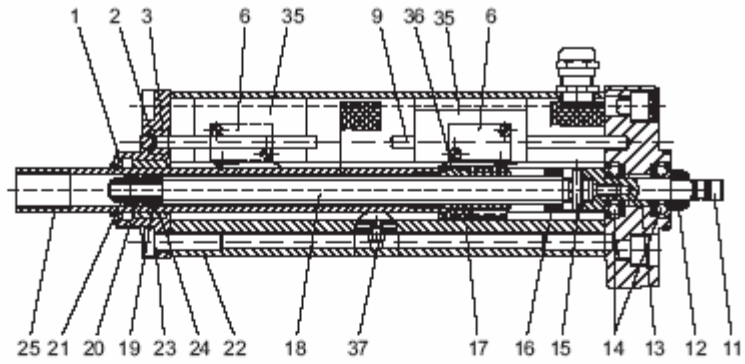


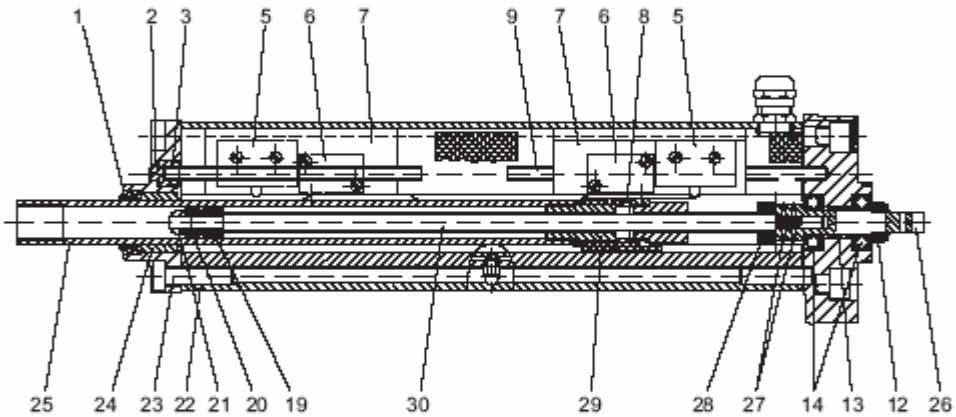
Flexline 10, 20, 30 Parts List

Spare parts list guide cylinder (functional cut)

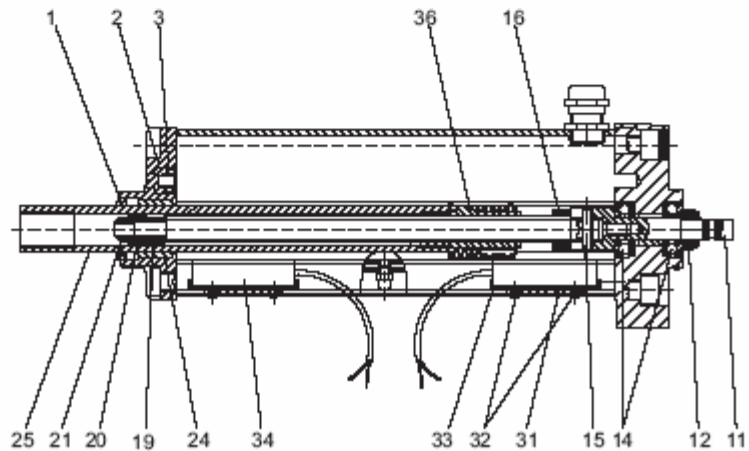
Standard version



Version with ball screw spindle(option) and additional safety limit switches(option)



Version with solenoid switch (Reed contact) (option)



Spare parts list guide cylinder

No	Description	Part number		
		FL10	FL20	FL30
1	Wiper	00203800002000	00203800008000	00203800009000
2	Bushing	8-5010-20.01	8-5010-20.01	8-5010-20.01
3	O-ring seal	00202000110102	00202000110102	00202000110102
4				
5	Safety limit switch	02650100000250	26501010000250	02650100000250
6	Limit switch	02450100000650	02350100000650	02450100000650
7	Switch holder	8-5010-140.01	8-5010-140.01	8-5010-140.01
8	Anti-torsion protection	8-5010-01.05	8-5020-20.05	8-5030-20.05
9	Threaded rod	Type No.	Type No.	Type No.
10				
11	Connection shaft PI	8-5010-22.01	8-5020-22.01	8-5030-22.01
12	Dome nut	0005061107501	00050612010001	00050612515001
	Shaft nut			8-5030-2210.12
13	Cylinder bearing or needle bush	Type No.	Type No.	Type No.
14	Axial deep groove ball bearing	00300055110010	00300055120410	00300055140510
15	Spiral pin	00101900300180	00101900600320	00101800600360
16	Rubber buffer	8-5010-160.03	8-5020-160.02	8-5030-160.03
17	Spindel nut	Type No.	Type No.	Type No.
18	Acme lead screw	Type No.	Type No.	Type No.
19	Rubber buffer	8-5010-160.02	8-5020-160.03	8-5030-160.02
20	Bearing bushing	8-5010-160.01	8-5020-160.01	8-5030-160.01
21	Hexagonal nut	00050500600801	00050501215614	00050501600801
22	Threaded insert		00053500814000	00053501222000
23	Socket head cap screw	00010300803021	00010200803021	0010201203521
24	Cylinder bearing	00303002015000	00303003525000	00303005035000
25	Piston rod	Type No.	Type No.	Type No.
26	Connection shaft KGT	8-5010-22.02	8-5020-22.02	8-5030-22.02
27	Spiral pin	00101900200140	00101900400320	
28	Rubber buffer	8-5010-160.04	8-5020-160.04	8-5030-160.04
29	Coupling	8-5010-20.04	8-5020-22.04	8-5030-22.04
30	Ball screw spindle	Type No.	Type No.	Type No.
31	Attachment plate	8-5010-140.03	8-5020-140.03	00015400300405
32	Set screw	00015400300405	00015400300405	00015400300405
33	Support plate	8-5010-140.02	8-5010-140.02	8-5010-140.02
34	Solenoid switch (Reed)	02452100000020	02452100000020	02452100000020
35	Switch plate	8-5010-140.01a	8-5020-140.01a	8-5030-140.01a
36	Torsion protection	8-5010-20.05a	8-5020-20.05a	8-5030-20.05a

Spare parts can only be delivered if serial No. is stated