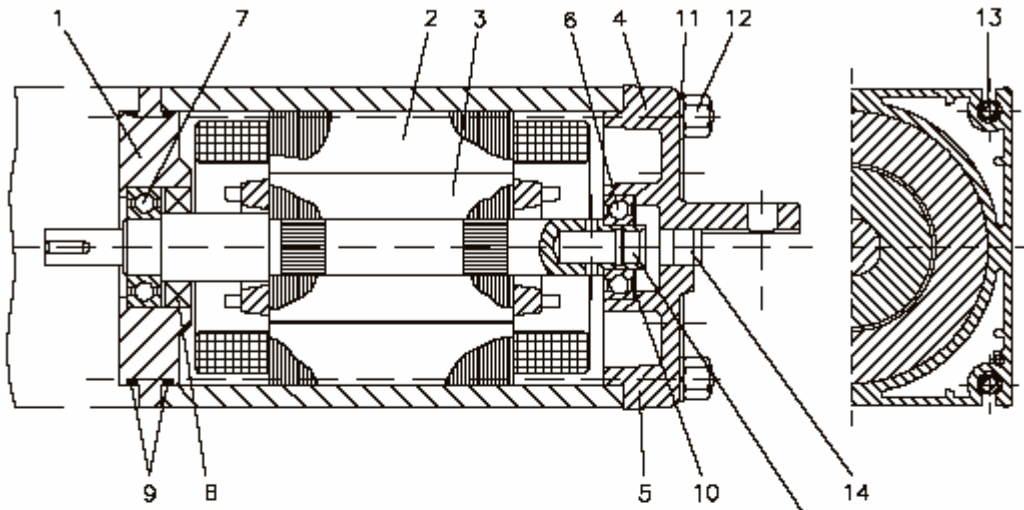


Flexline 10, 20, 30 Parts List for 3-Phase or AC

Spare parts 3-phase or A.C.

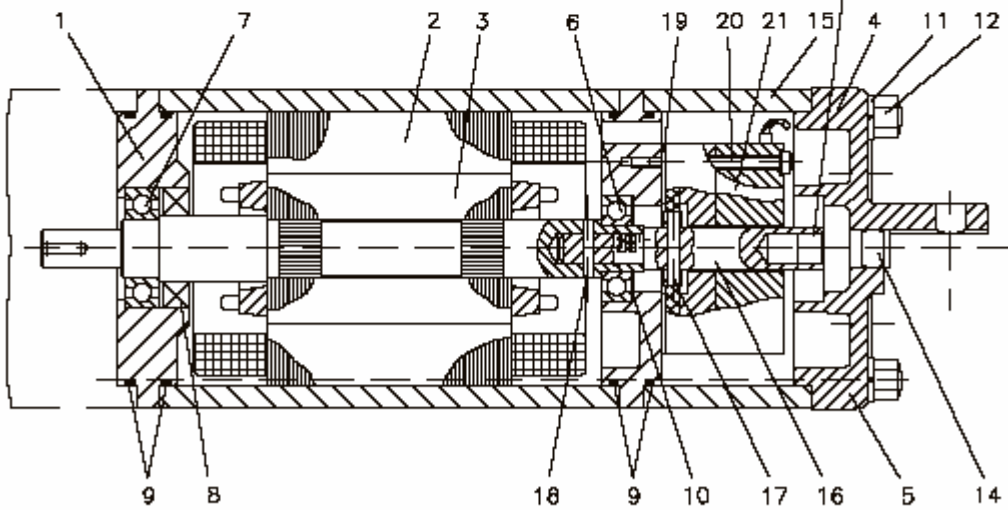
Version N

Shaft for planetary gearbox and direct drive



Hexagon for emergency operation

Version N with single disk spring actuated brake



Spare parts list Framo three-phase and or A.C. motor with/without single disk spring actuated brake

No	Description	Part number
1	Motor flange	8-5010-100.01
2	Stator compl. (with casing)	Type No.
3	Rotor compl. (with shaft)	Type No.
4	End plate A	8-5010-130.01
5	End plate B, C, D	8-5010-130.02
6	Deep groove ball bearing 6001-2RS	00300100600160
7	Deep groove ball bearing 6002-2RS	00300100600260
8	Radial shaft seal ring 18x32x7	002001011832072
9	O-ring seal 67x1,5	00202000670152
10	Ball bearing washer 21/27x0,3	00302152127030
11	Lock washer A6 DIN 127	00154000060011
12	Cap nut M6 DIN 917	00050200600001
13	Tie rod M6	Type No.
14	Plug GPN 300 F5	02050100000500
15	Brake casing	8-5010-110.01
16	Longer rotor	8-5010-110.02
17	Straight pin 3x16 DIN 6325	00100800306162
18	Spiral pin 3x16 DIN 7344	00101900300160
19	Friction plate size 05	02870150501000
20	Threaded tie rod M3x35 DIN 7985	00011400303501
21	Single disk spring actuated brake	02870100505000

Spare parts can only be delivered if serial No. is stated